



A-LOK® TUBE FITTINGS

SELECTOR CHART



Tube to Male Pipe

NPT Male Connector MSC	NPT Male Bulkhead Connector MBC	Thermocoupler Connector MTC	NPT Male Elbow MSEL	NPT Male 45° Elbow MVEL	NPT Male Run Tee MRT	NPT Male Branch Tee MBT

Tube to Female Pipe

NPT Female Connector FSC	NPT Female Bulkhead Connector FBC	BSPG Gauge Connector FSC GC*	NPT Female Elbow FEL	NPT Female Run Tee FRTN	NPT Female Branch Tee FBTN

37° Flare (AN) to A-LOK®

37° Flare (AN) to CPI™/A-LOK® X6TU	37° Flare Connector XASC	37° Flare Bulkhead Connector XABC

Tube to Tube Unions

Union SC	Conversion Union CU	Reducing Union RU	Bulkhead Union BC	Dielectric Union, Adapter, Dielectric Assembly DELTA	Union Elbow EE, ELZ	Union Tee ET	Drop Size Tee JLZ	Union Cross ECR

Port Connectors

Tube End Reducer TUR	Tube End Bulkhead Adapter TUBC	Port Connector PC
NPT Tube End Male Adapter MA	Tube End to SAE Straight Thread Adapter TUHA	Tube End NPT Female Adapter FA

Push-Lock Connectors

Push-Lock to Tube Adapter P2TU	Push-Lock to Male Adapter P2HF
Push-Lock to CPI™/A-LOK® P2LZ6	Push-Lock to Port Connector ZPC2

Special Connectors

Lapped Joint Tube Adapters LJF	DP Transmitter Calibration Adapters ZH2X
Sanitary Flange Fitting ZHLS	Vent Protector NPT Male Pipe Thread MDF

Tube to O-Ring Seal

Male Connector SAE Straight Thread M1SC	Male SAE Straight Thread Elbow M5SEL	Male Run Tee SAE Straight Thread M5RT	Male Branch Tee SAE Straight Thread M5BT	Long Male Connector SAE/MS Straight Thread ZH3LA	45° Positionable Male Elbow SAE/MS Straight Thread M5VEL	Male Connector to O-Ring Straight Thread M2SC	Male Connector to O-Ring Pipe Thread M3SC	Tube End to O-Ring Straight Thread M2TU
Tube End to O-Ring Pipe Thread M3TU	Pipe Thread to SAE Straight Thread Adapter FH0A	Bulkhead to Conversion Adapter AH2LZ						

Tube to Welded Systems

Tube Socket Weld Elbow ZELW	Pipe Butt Weld Elbow ZELW2	Tube Socket Weld Connector ZHLW	Pipe Butt Weld Connector ZHLW2

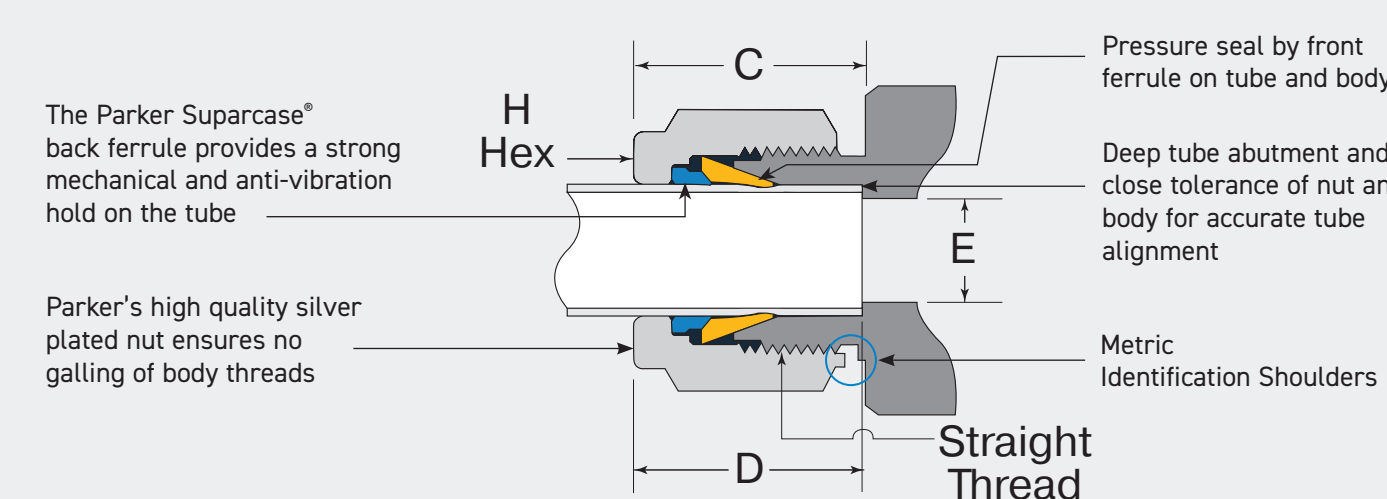
Barbed Fittings

Barbed Connector to Male Pipe B2HF	Barbed Connector to Tube Adapter B2TU	Hose Connector Sleeve HCS

Components

Insert TIZ	Inverted Tube Nut BZI	Tube Nut NU	Knurled Nut BZP	Front Ferrules FF	Back Ferrules BF	Ferrule Holder -	Plug BLP	Cap BLEN	Sealing Washer
Bulkhead Locknut WLN									

A-LOK® Double Ferrule Fitting



How to Order

Parker A-LOK® Tube Fitting part numbers are constructed using alphanumeric characters to identify the size, style and material of the fitting.

Imperial Example: (8MSC4N-316) Imperial (inches) part number shown below is for a Parker A-LOK® 316 Stainless Steel Male Connector for 1/2" O.D. tube (8), and 1/4" Male Pipe Thread (4).

8	MSC	4	N	316	
Port 1 Size Designator	Shape Designator	Port 2 Size Designator	Thread Designator	Material	Options
M12	FSC	1/4	N	316	

Metric Example: (M12FSC1/4N-316) Metric (mm) part number shown above is for a Parker A-LOK® 316 Stainless Steel Female Connector for 12mm O.D. tube (M12) and 1/4" Female Pipe Thread (1/4).

Tube End Dimensional Data

SIZE	Tube O.D.		Straight Thread		C†		H Hex		E Diameter		D‡ Tube Insertion Depth	
	Imp	Met	in	mm	in	mm	in	mm	in	mm	in	mm
1	M2	1/16	2	10-32	0.43	15.3	5/16	12	0.052	1.7	0.34	12.9
2	M3	1/8	3	5/16-20	0.60	15.3	7/16	12	0.093	2.4	0.50	12.9
3	M4	3/16	4	3/8-20	0.64	16.1	1/2	12	0.125	2.4	0.54	13.7
4	M6	1/4	6	7/16-20	0.70	17.7	9/16	14	0.187	4.8	0.60	15.3
5	M8	5/16	8	1-2-20	0.73	18.6	5/8	15	0.250	6.4	0.64	16.2
6		3/8		9/16-20	0.76		11/16		0.281		0.67	
	M10		10	5/8-20		19.5		18		7.9		17.2
8	M12	1/2	12	3/4-20	0.87	22	7/8	22	0.406	9.5	0.90	22.8
	M14		14	7/8-20		22		24		11.1		24.4
	M15		15	7/8-20		22		24		11.9		24.4
10	M16	5/8	16	7/8-20	0.87	22	1	24	0.500	12.7	0.96	24.4
12	M18	3/4	18	1-20	0.87	22	1-1/8	27	0.625	15.1	0.96	24.4
	M20		20	1-1/8-20		22		30		15.9		26.0
14	M22	7/8	22	1-1/8-20	0.87	22	1-1/4	30	0.750	18.3	1.03	26.0
16	M25	1	25	1-5/16-20	1.05	26.5	1-1/2	35	0.875	21.8	1.24	31.3
	M28		28	M37		35.7		46		21.8		25.6
	M30		30	M40		38.5		50		26.2		38.8
20	M32	1-1/4	32	1-5/8-20	1.52	41.3	1-7/8	50	1.09	28.6	1.61	41.6
24		1-1/2		1-15/16-20	1.77		2-1/4		1.34		1.96	
32		2		2-5/8-20	2.47		2-3/4		1.81		2.65	

NOTES: Dimensions C and D are shown in the finger-tight position. † Average Value Dimensions for reference only, subject to change.



For additional information regarding fittings and ordering specifications, please refer to Catalog 4230/4233 - CPI™/A-LOK® Tube Fittings



Instrumentation Products Division

1005 A Cleaner Way
Huntsville, AL 35805
United States of America
phone 256 881 2040

Pottington Business Park
Barnstaple, EX31 1NP
United Kingdom
phone +44 1271 313131

Parker.com/ipd

© 2024 Parker Hannifin Corporation